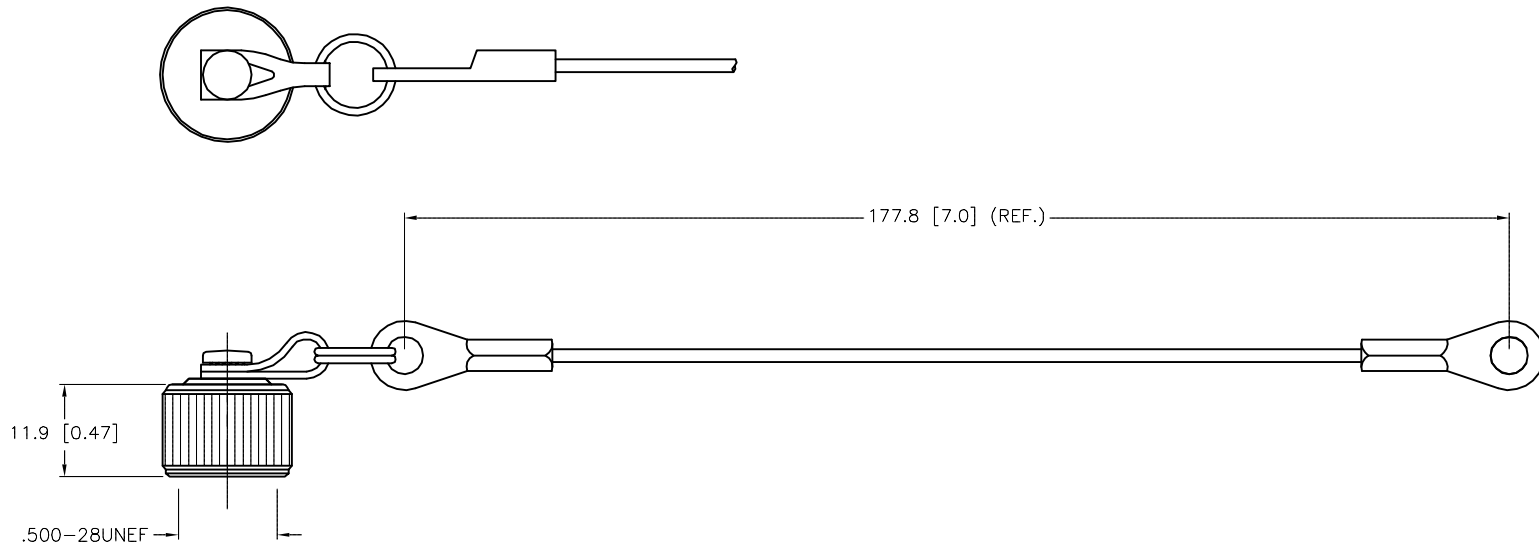


SPECIFICATIONS

CAP MATERIAL/FINISH	ALUMINUM ALLOY/OLIVE DRAB PLATING
CABLE AND EYELET MATERIAL	SST



SOURCE DRAWING - FOR REFERENCE ONLY

NOTES:

1. ALL DIMENSIONS ARE REFERENCE.

RELATED DOCUMENTS		3RD ANGLE PROJECTION		THIS DRAWING IS CONFIDENTIAL AND THE PROPERTY OF TURCK INC. USE OF THIS DOCUMENT WITHOUT WRITTEN PERMISSION IS PROHIBITED.		TURCK INC High Technology Sensors and Automation Controls 3000 CAMPUS DRIVE MINNEAPOLIS, MN 55441 1-800-544-7769 (763) 553-7300 (763) 553-0708 fax turck.com	
1. 2. 3. 4.				DRFT RDS	DATE 11/17/14	DESCRIPTION	
MATERIAL		ALL DIMENSIONS DISPLAYED ON THIS DRAWING ARE FOR REFERENCE ONLY		APVD J.B.	SCALE 1=1.0	MS 3100-8S-CC	
SEE SPECIFICATIONS		CONTACT TURCK FOR MORE INFORMATION		UNIT OF MEASUREMENT		IDENTIFICATION NO.	
FINISH		SEE SPECIFICATIONS		MILLIMETER [INCH]		U2-24087	
A DRAWING RELEASE		RDS 11/19/14		DO NOT SCALE THIS DRAWING		REV A	
REV DESCRIPTION		BY DATE ECO NO.		FILE: U2-24087		SHEET 1 OF 1	